



A comfortable work desk and meeting room chair in one piece of furniture



The ST.L SEATTABLE is ideally suited for conference rooms, meeting areas, seminars, training centres, schools and home use.

**Functionality:** A workdesk and a comfortable chair in one piece of furniture.

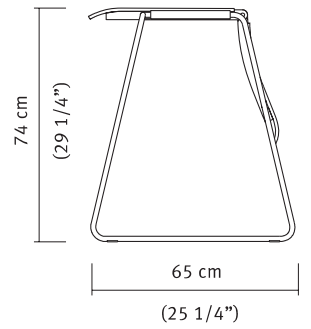
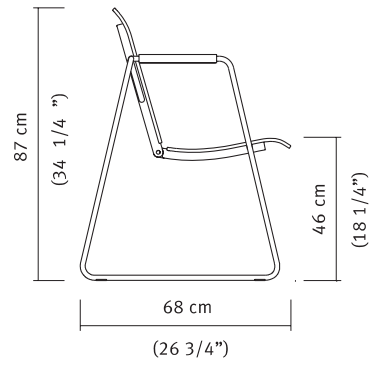
**Flexibility:** You decide how many of the ST.Ls will be chairs or tables, giving you total flexibility.

**Space saving:** The ST.L is stackable both as chair and table thus making the greatest use of available space.

Using the ST.L means greater storage space economy as it is no longer necessary to find space for both tables and chairs.

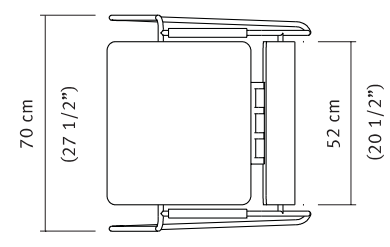
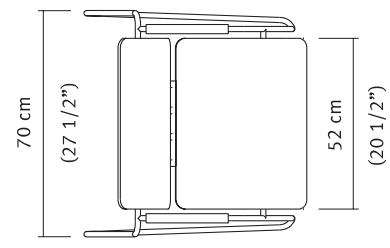
**Comfort:** With its ergonomic seat and desktop, the ST.L is as comfortable when used as a chair as it is when used as a table.

**Quality:** The design and construction of the ST.L pays the greatest attention to detail. The seats and backs are made of pre-formed constructional beech ply or structural plastic. The parts of the monoblock incorporating the transforming mechanism are made of high specification structural plastic.



**ST SEATTABLE**<sup>®</sup>  
is a registered trademark of ORT

Design Award Winner The Chair of the Year 2002





Actual colours may vary from printed colours



BC



CRD



OKD



AL



PWH



PYL



PRD



CHR

**ST SEATTABLE**<sup>®</sup>  
MODEL ST.L

Just a single move



